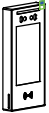


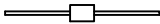




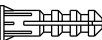





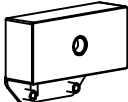




Unpacking

Please make sure the package contains the following items:

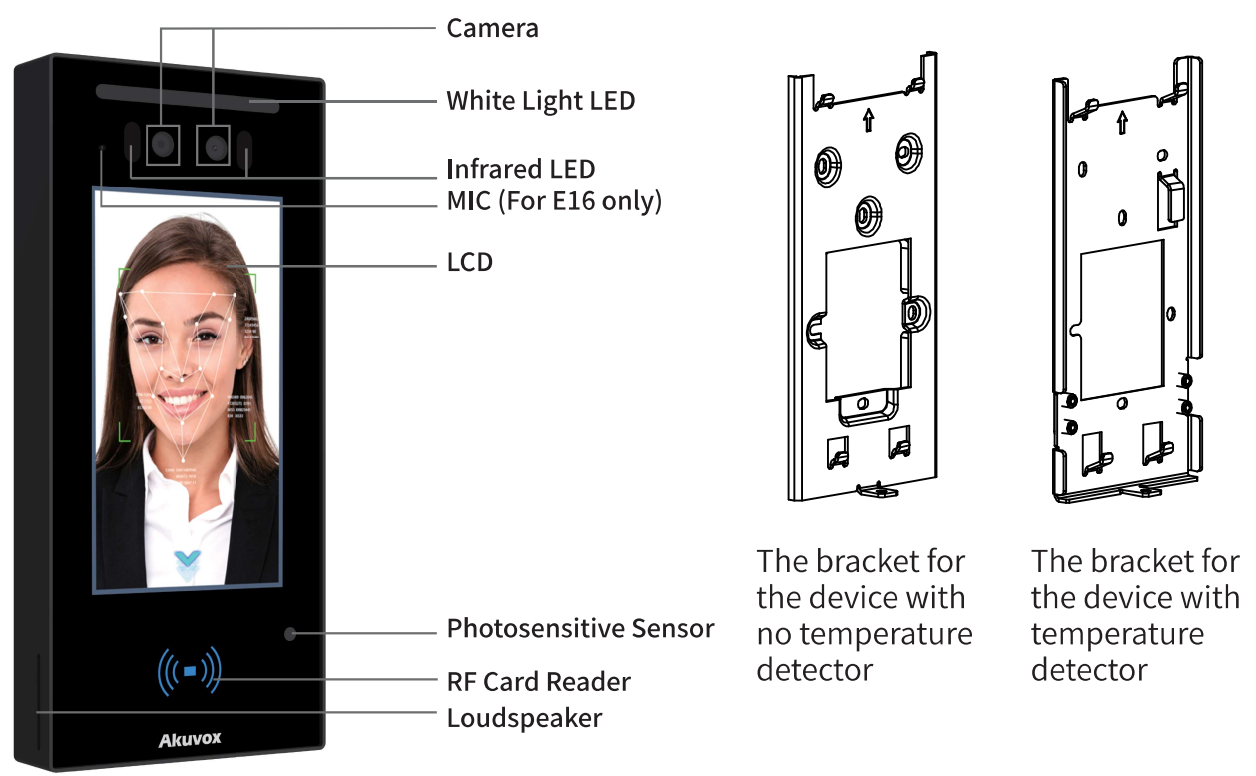
Universal Accessories:

-  A05/E16 x 1
-  Wall-mounting bracket x 1
-  M2.5x6 crosshead screw x 2
-  Diode x 1
-  M4x30 crosshead screw x 2
-  Sealing pressing plate x 1
-  Torx Wrench x 1
-  M3x6 torx head screw x 5
-  Plastic wall anchor x 4
-  Wiring cover x 1
-  Rubber Plug x 3 (S,M,L)
-  ST4x20 crosshead screw x 4

Digital Temperature Detector Accessories (Optional) :

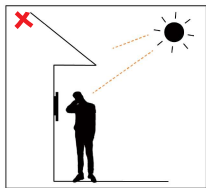
-  Digital Forehead Temperature Detector x 1
-  Digital Wrist Temperature Detector x 1
-  M3x10.5 hex socket screw x 2
-  M3x4 crosshead screw x 2
-  Allen Wrench x 1

Product Overview

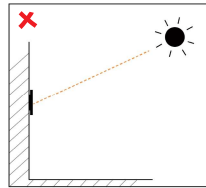


Installation Environment

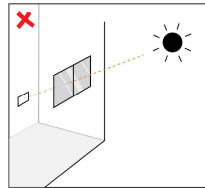
Please do not place device under direct sunlight, it will bring bad effect or be broken with high temperature. If installing the device indoors, please keep device at least 2 meters away from light, and at least 3 meters away from window and door.



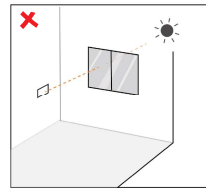
Backlight



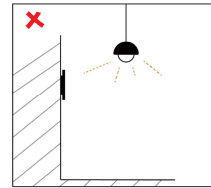
Direct sunlight



Direct sun through window



Indirect sunlight through window



Close to light

Attention:

Biometric recognition product may not be considered 100% to fit in any identification application.

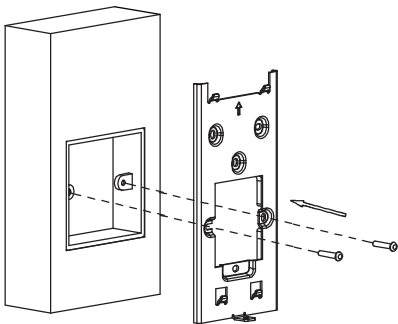
For higher security purpose or scenario, please set up access authentication combination.

Installation

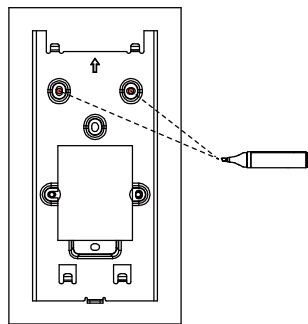
1. Step1: Wall-mounting Bracket Installation

1.1 With embedded one-gang junction box (86x86 mm or 2x3 inches in size) in the wall

1.1.1 With 86x86 mm embedded junction box in the wall

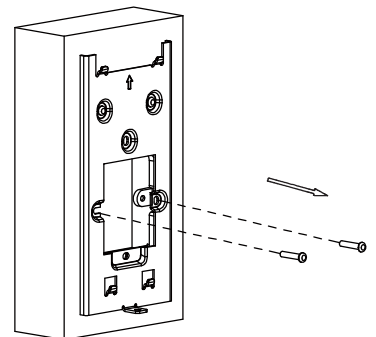


Fix the wall-mounting bracket on the embedded box with two M4x30 crosshead screws.

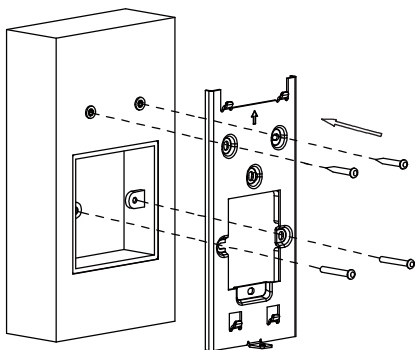


Mark the two positioning holes of the wall-mounting bracket on the wall.

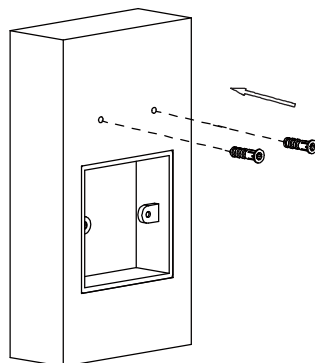
Note: the positioning holes should be marked in the center of the holes.



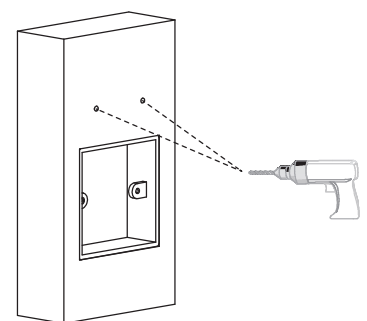
Remove the two M4x30 crosshead screws and take off the wall-mounting bracket.



Fix the wall-mounting bracket with two M4x30 crosshead screws and two ST4x20 crosshead screws.

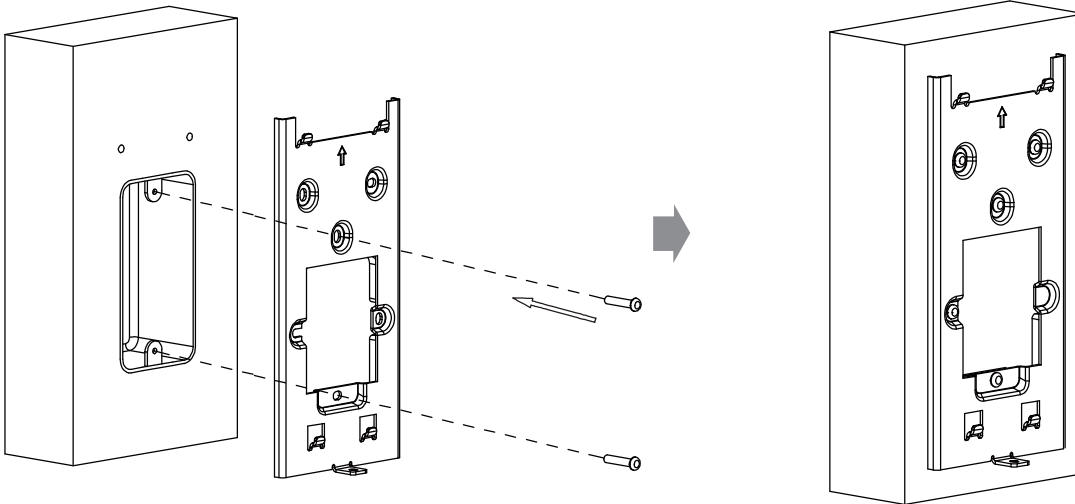


Insert two plastic wall anchors into the two drilled holes.



Use a hand drill with 6 mm diameter bit to make two positioning holes with 25 mm in depth in the marked positions.

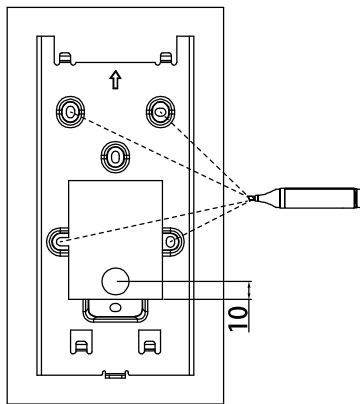
1.1.2 With 2x3 inches embedded single-gang box in the Wall



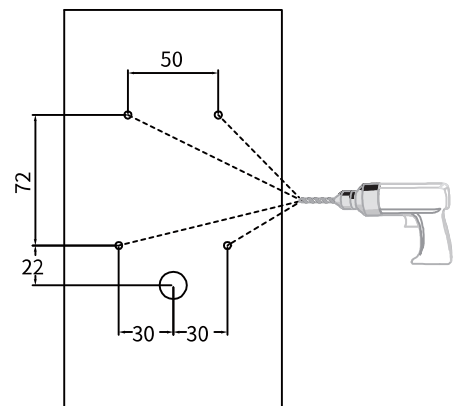
Fix the wall-mounting bracket on the single-gang junction box with the two M4x30 crosshead screws.

Finish the bracket installation.

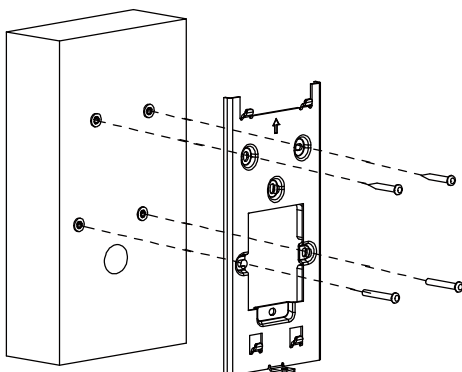
1.2 Without embedded gang box in the wall



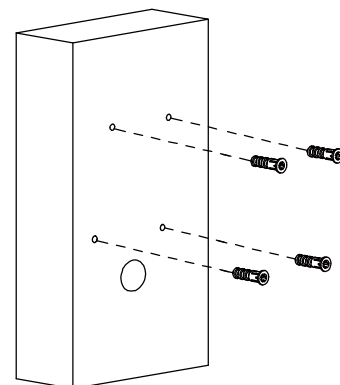
According to the position of the cable, put the wall-mounting bracket closely on to the wall and mark the four positioning holes, while making sure that relative positions between wall-mounting bracket and wire hole are correct.
Note: The positioning holes should be marked in the center of the holes.



Take off the wall-mounting and drill the four marked positioning holes and the wire holes using 6 mm hand drills.



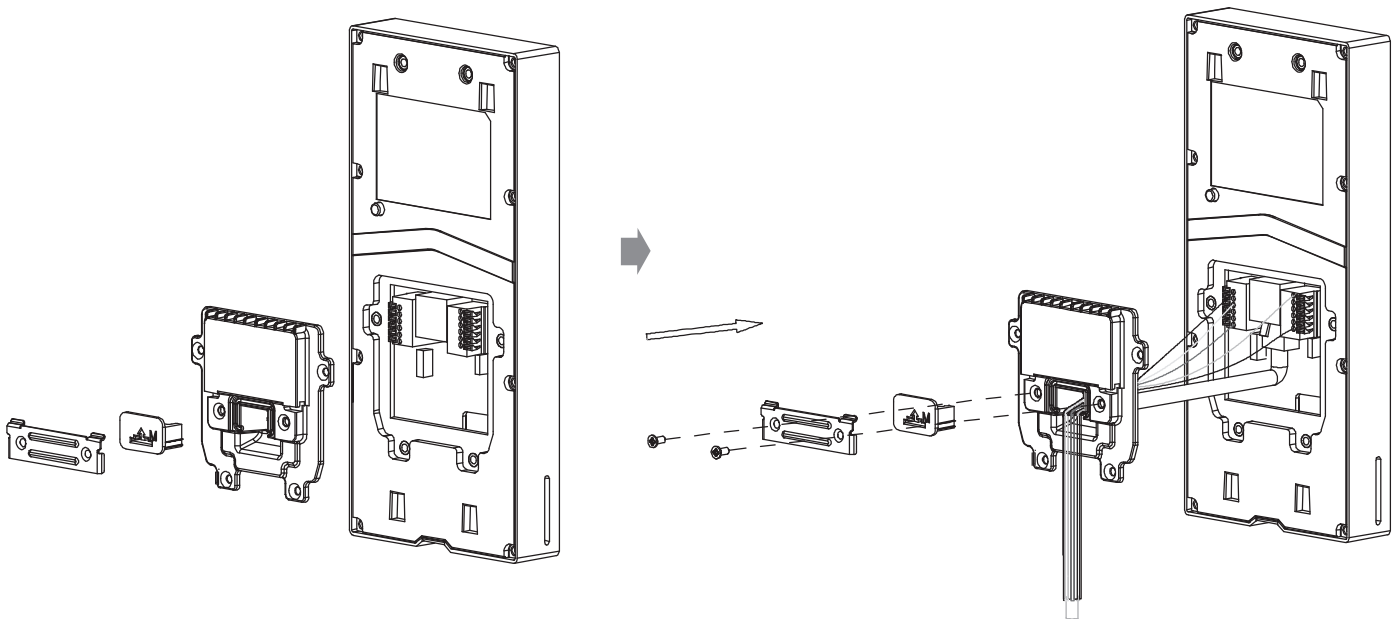
Fix the wall-mounting bracket with four ST4x20 crosshead screws.



Insert four plastic wall anchors into the holes.

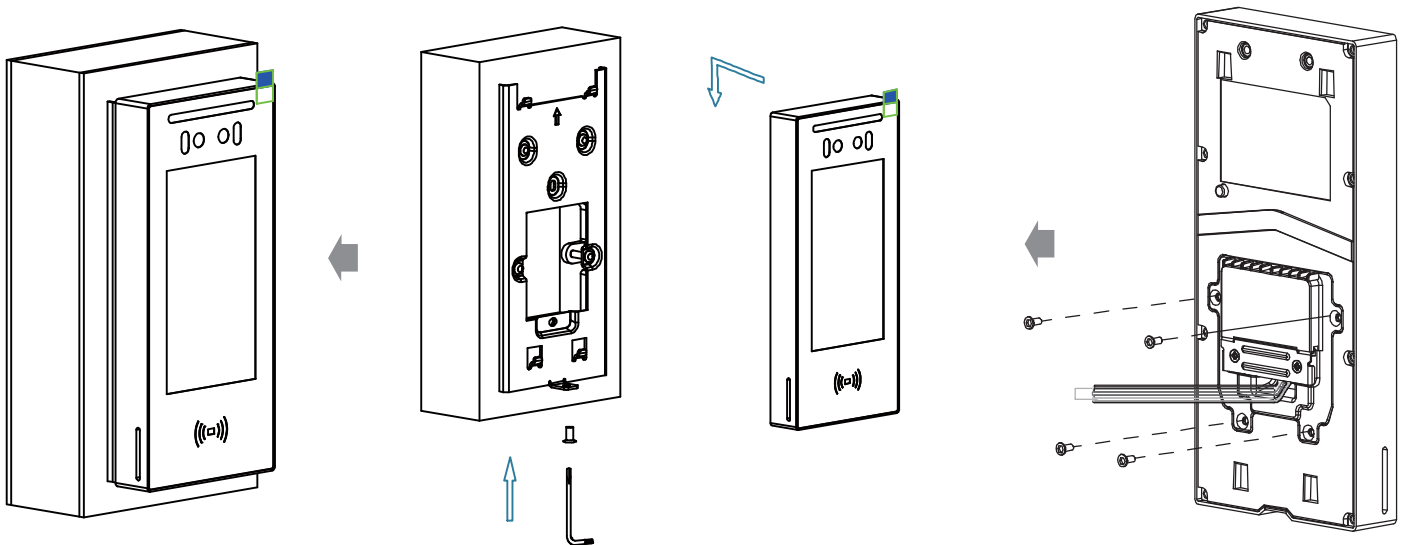
2.Step 2: Device Installation

2.1 Device Installation without Digital Forehead or Wrist Temperature Detector



Take out the device along with the wiring cover, sealing pressing plate, rubber plug and corresponding screws.

Lead the wires from the wall-mounting bracket and the detector through the square hole on the wiring cover, connecting them to the corresponding interface of the main board. Select a suitable size rubber plug to push all the cables into the wiring cover. Fix sealing pressing plate to the wiring cover with two M2.5x6 crosshead screws.

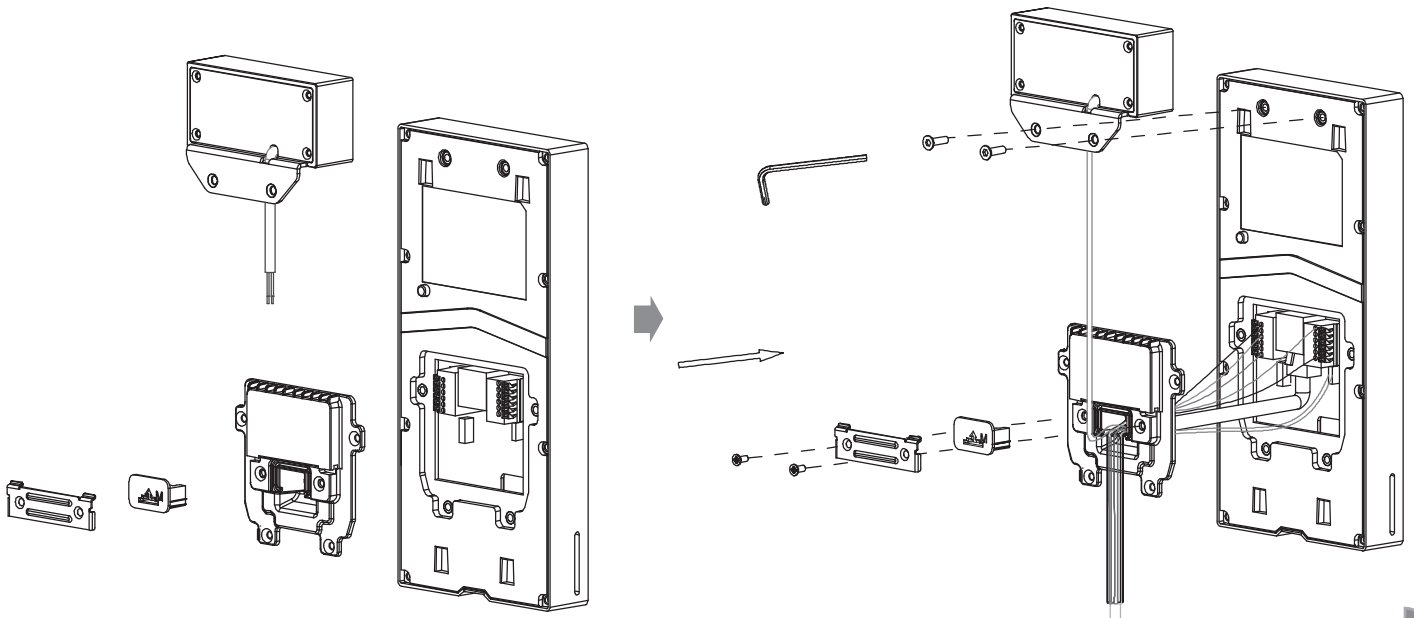


And please remove the protective film. Installation is completed.

Hang the device on to the square hanger on the wall-mounting bracket, pull down the device to make it fall completely on to the square hanger on the wall-mounting bracket, then use the torx wrench attached to tighten the device with the M3x6 torx head screw.

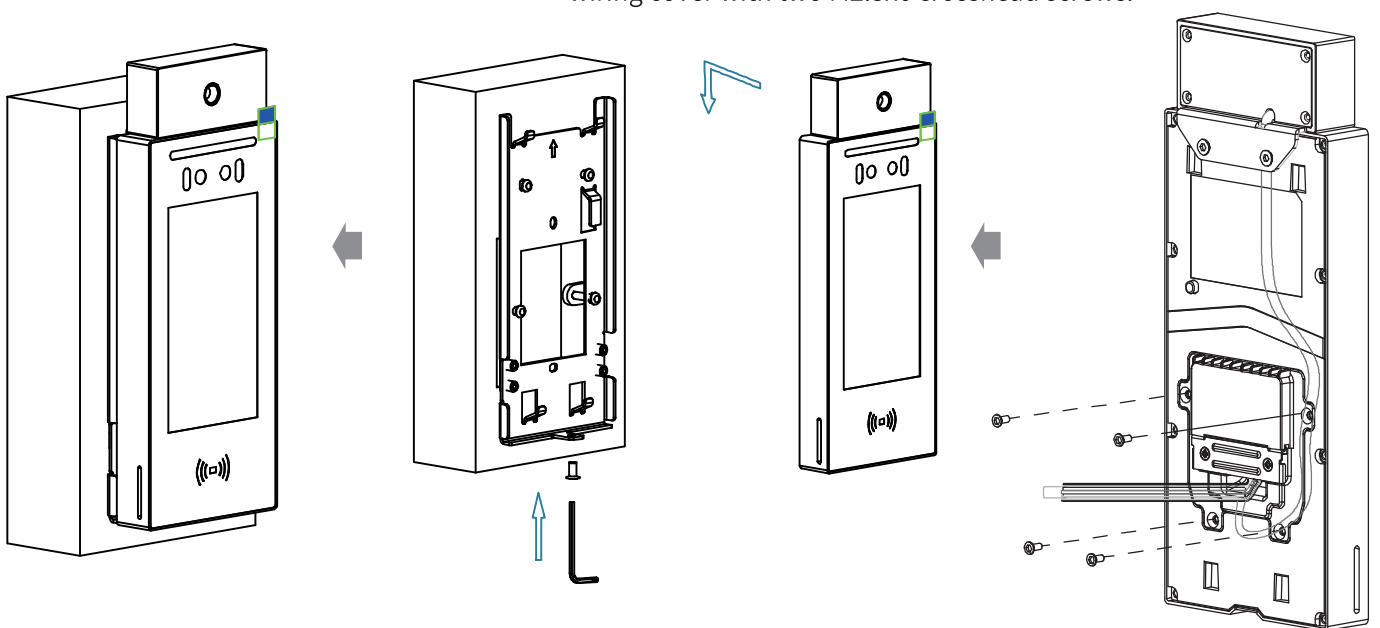
Fasten the wiring cover with four M3x6 torx head screws using the torx wrench attached.

2.2 Device Installation with Digital Forehead Temperature Detector (Optional)



Take out device and the digital forehead temperature detector and then take out wiring cover, sealing pressing plate, rubber plug and corresponding screws.

Fasten the detector on to the nuts on the device's wiring cover with two M3X10.5 hex socket screws using the allen wrench attached, and lead the wires from the wall-mounting bracket and the detector through the square hole on the wiring cover, connecting them to the corresponding interface of the main board. And then select a suitable size rubber plug to push all the cables into the wiring cover. Fix sealing pressing plate to the wiring cover with two M2.5x6 crosshead screws.

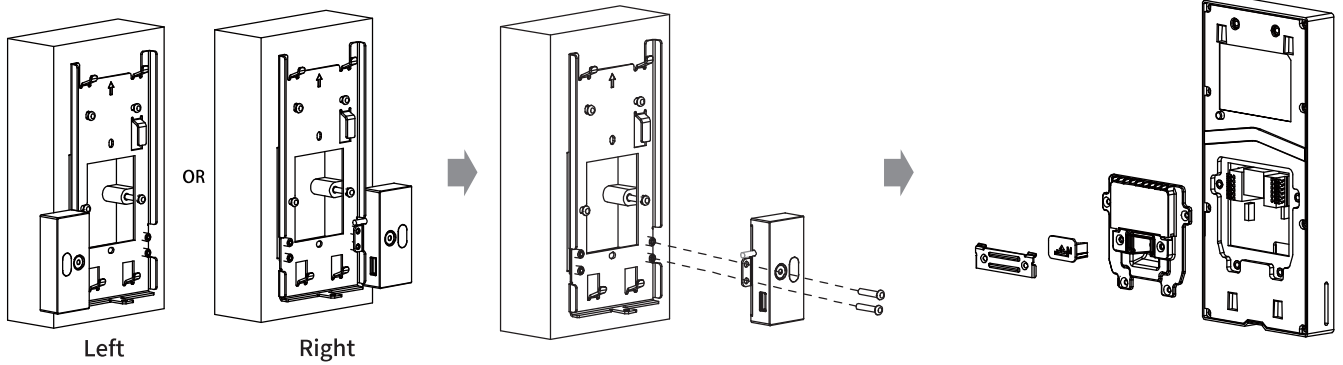


And please remove the protective film. Installation is completed.

Hang the device on to the square hanger on the wall-mounting bracket, pull down the device to make it fall completely on to the square hanger on the wall-mounting bracket, then use the torx wrench attached with to tighten the device with the M3x6 torx head screw.

Fasten the wiring cover with four M3X6 torx head screws using the torx wrench attached.

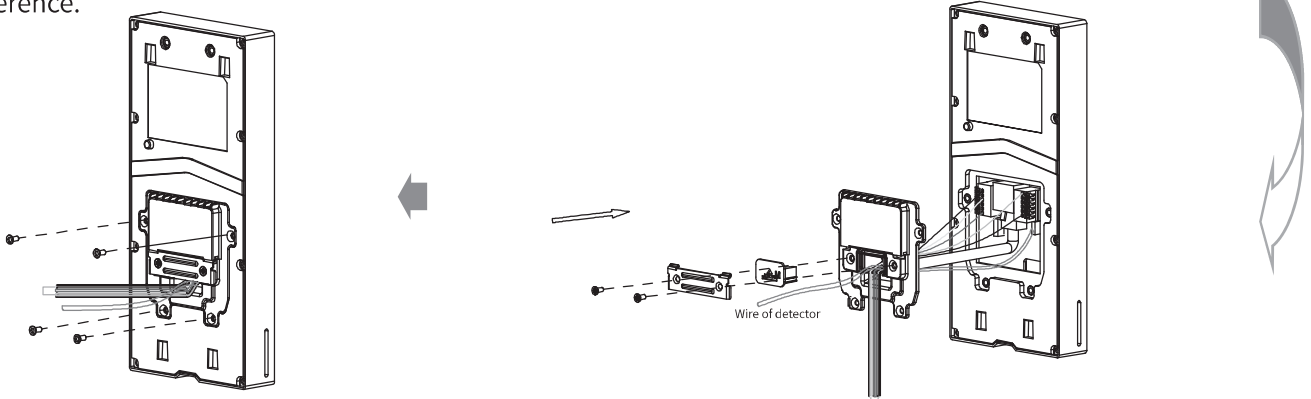
2.3 Device Installation with Digital Wrist Temperature Detector (Optional)



Fix the two holes of the detector onto the installation pins on the wall-bracket either on the left or right according to your preference.

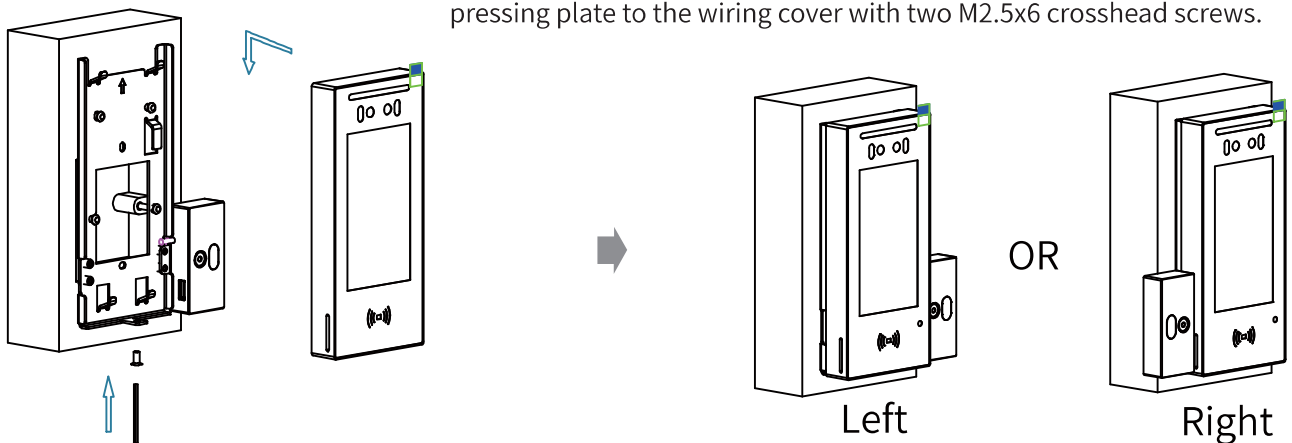
Tighten the detector on to the inner threaded bolt with two M3x4 crosshead screw using the allen wrench attached in the same way on both side.

Take out the device along with the wiring cover, sealing pressing plate, rubber plug and corresponding screws.



Fasten the wiring cover with four M3x6 torx screws using the torx wrench attached.

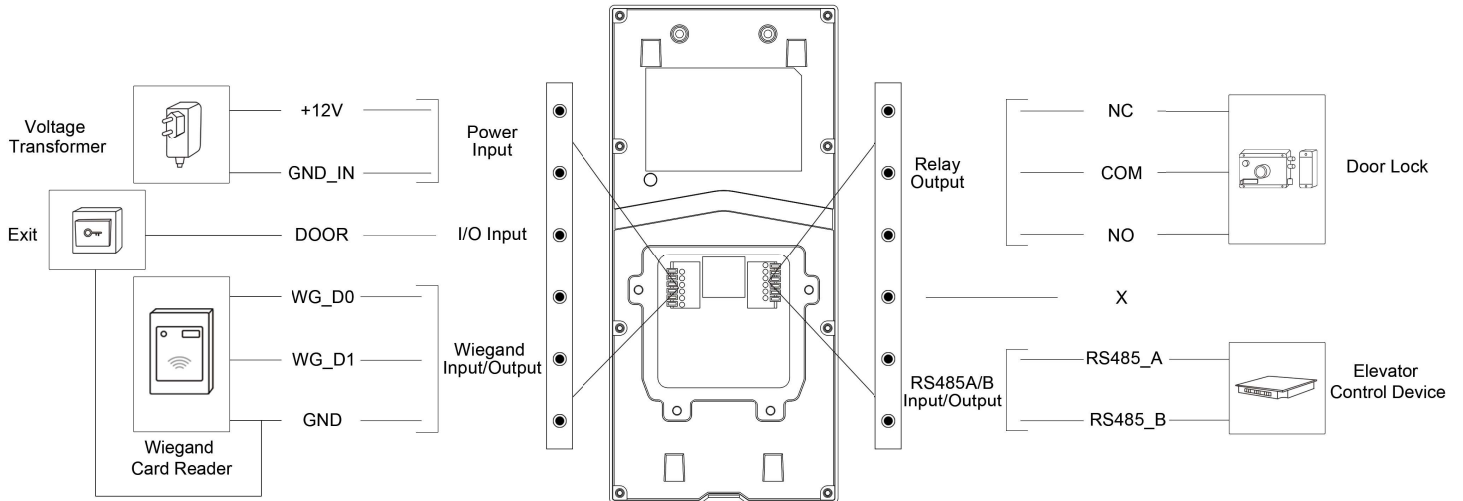
Lead the wires from the wall-mounting bracket and the detector through the square hole on the wiring cover, connecting them to the corresponding interface of the main board. And then select a suitable size rubber plug to push all the cables into the wiring cover. Fix sealing pressing plate to the wiring cover with two M2.5x6 crosshead screws.



Hang the device on to the square hanger on the wall-mounting bracket, pull down the device to make it fall completely on to the square hanger on the wall-mounting bracket, then use the torx wrench attached to tighten the device with the M3x6 torx head screw.

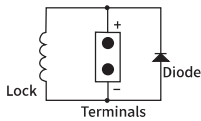
And please remove the protective film. Installation is completed.

Device Wiring



Warning

When you connect a device containing a coil, such as a relay or an electromagnetic lock, it is necessary to protect the intercom against voltage peak while switching off the induction load. For this way of protection we recommend a diode 1 A / 200 V (included in the accessories) connected antiparallel to the device.

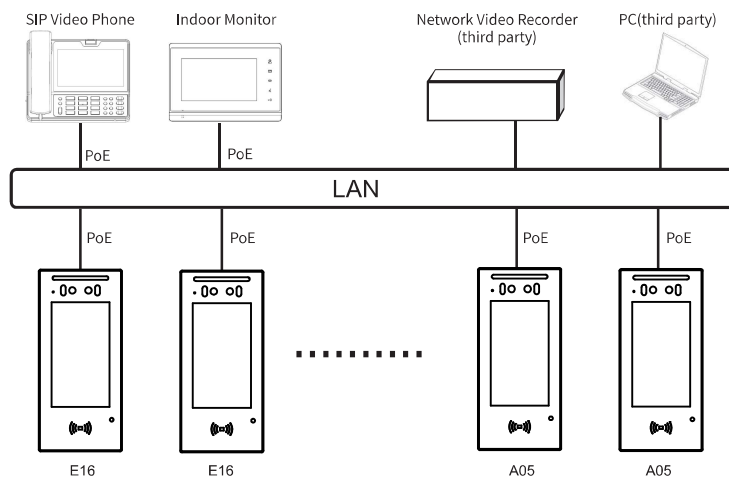


Wire Length & AWG Table

Please follow the properly measured wire gauge/length to install device:

	20 AWG	22 AWG	24 AWG	26 AWG
12V 1A Adapter	≤20m	≤10m	/	/

Application Network Topology



Configuration

- 1.IP address Checking:** Long press any where on the initial screen for approximately five seconds to go to project PIN screen where you enter the default PIN “admin” and press **Confirm** tab to go to Setting screen where you press **Info** icon to check for the device IP address. (for E16 series door phone only)
- 2.Account Registration:**On the web interface, go to the path **Account > Basic** page to register and fill in the account information. (please refer to user manual for more information)
- 3.DTMF code configuration:** On the web interface, go the path: **Access Control>relay** to set up the DTMF code in the corresponding area.

Operation

Make a call:

Press **Dial icon** into the dial interface, and enter the IP or SIP number and press **Dial key** to make a call (for E16 series door phone only).

Receive a call:

E16 supports Auto Answer by default. Incoming call from indoor device will be answered automatically.

Unlock by DTMF:

During the call, press the corresponding DTMF code from the answer unit to unlock E16 remotely.

Unlock by RF Card:

Place the predefined RF card in the card reader area to open the door.

Notice Information

Akuvox E16/A05 firmware contains third-party open source software under the terms of the GNU General Public License(GPL). Akuvox is committed to meeting the requirements of the GNU General Public License (GPL) and will make all required source code available.

The source code of software under the terms of GNU GPL can be downloaded online: <http://www.akuvox.com/gpl>.

Information contained in this document is believed to be accurate and reliable at the time of printing. This document is subject to change without notice, any update to this document can be viewed on Akuvox' s website: <http://www.akuvox.com> © Copyright 2022 Akuvox Ltd. All rights reserved.



AKUVOX (XIAMEN) NETWORKS CO., LTD.

Add.: 10/F, NO.56 GUANRI ROAD, SOFTWARE PARK II, XIAMEN 361009, CHINA
www.akuvox.com



YS15000009